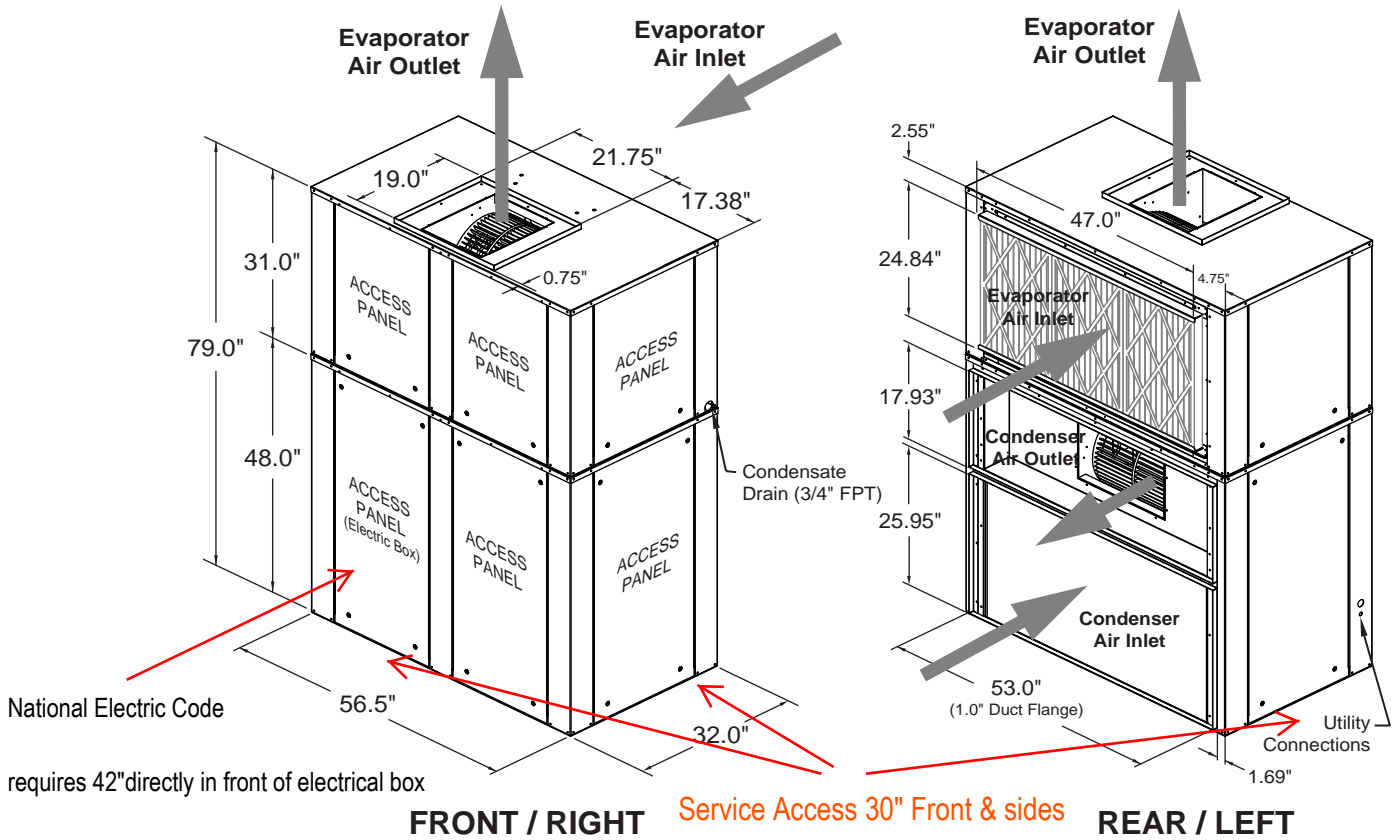


# UNIT DIMENSIONS: Convertible-Vertical™

## 2 to 6 Ton - (PAA, PAH-024, 036, 048, 060 & 072-V) Air Cooled - Self-Contained Vertical A/C - Top Evap Discharge



## 2 to 6 Ton - (PAA, PAH-024, 036, 048, 060 & 072-V) Air Cooled - Self-Contained Vertical A/C - Front Evap Discharge (Optional)

